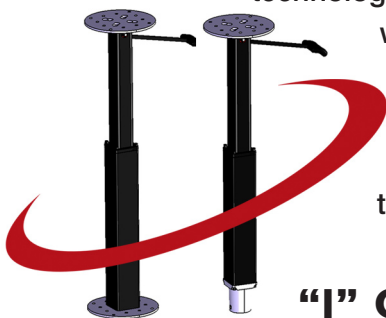


JWF Launches...

JWF "I" Column

The "I" Column is a cost effective solution for the height adjustment of equipment carts and pedestal tables found in the commercial, medical, furniture and industrial markets. The "I" Column has been designed and tested as the primary structural component in height adjustable products, and is easily integrated into application assemblies. The power behind the smooth height adjustment is provided by Stabilus locking gas spring technology. As the demand for ergonomic products expands, JWF Technologies will provide application review and engineering assistance to develop the correct product specifications for each application. The JWF Team will focus on total project management from the validation of the application, through the delivery of the approved product.



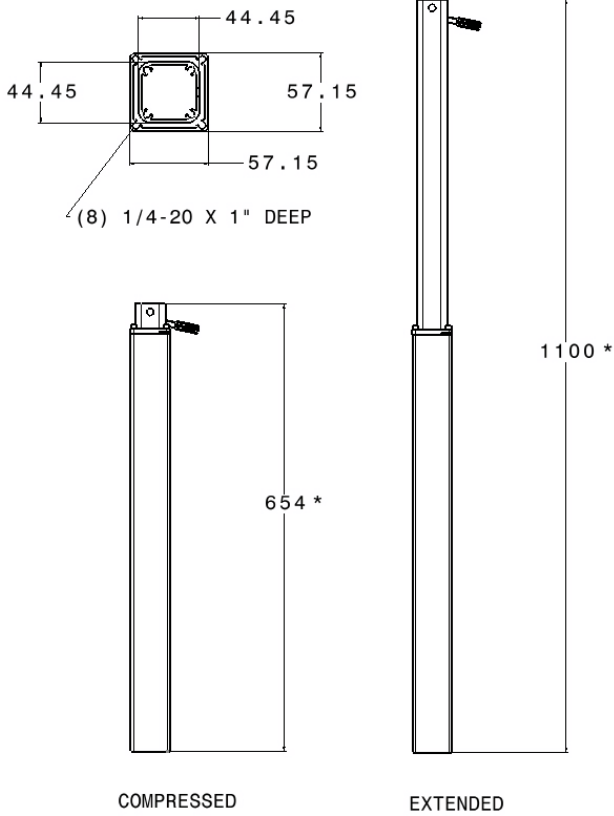
"I" Column Features:

- Universal design easily integrated into applications.
- Column can be used as is, or paired with a cosmetic, telescopic cover tube.
- Top assemblies bolt to mounting plate.
- Bases bolt to the base plate, or a taper mount is available for star base applications.
- Black is standard, and custom colors are quoted upon request.
- Smooth, reliable height adjustment:
 - 12" and 18" strokes are standard
 - Design specific strokes are available
 - Height adjust to any position throughout the stroke
 - Counterbalance force provided by the locking gas spring
 - Lever or cable activation systems available
 - Can be integrated with electrical actuator
- Performance tested to 50,000 full stroke cycles
- Lightweight
- Cost Effective Design



Patent Pending

OPTIONS



HAND LEVER

PART #	X
IC-064	64MM
IC-104	104MM
IC-122	122MM
IC-167	167MM
IC-196	196MM

CABLE LEVER

LEVER FOR CABLE ACTUATION
PART # IC-LVR

ACCESSORIES

MOUNTING PLATE

PART # IC-MP
 ○ FITS BOTH UPPER AND LOWER EXTRUSION
 ○ BLACK FINISH

MORSE TAPER MOUNT

(2) 1/4-20 X 1" DEEP
PART # IC-MT

*DIMENSIONS SHOWN FOR 446MM GAS SPRING

IC - - - - -

